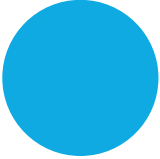




trident

 RiX-70 DC, the most advanced high frequency dental X-Ray unit for perfect images.

**DC technology for less radiation dosage.
DC generator with 0,4 mm focal spot.
Ideal for all image receptors.**




RiX-70 DC

Intraoral X-Ray Unit

What DC means?

DC means amazing results with all the advantages of the more advanced electronic technology: **rather than using alternating current, RiX- 70 DC applies a nearly constant potential to the tube.** This constant potential supplies the tube with DC current, resulting in a constant stream of consistent radiation that maintains the preset kV values even with mains fluctuations.

Reduction of radiation dose

The high frequency generator allows radiation stability eliminating the soft radiation that does not produce images but can be harmful for the patient.

Superior image quality

RiX-70 DC with focal spot 0,4 mm gives you incredibly clear images with a high contrast range.

Voltage selector

RiX-70 DC can operate either 60, 70 or 75 kV allowing to reach excellent results according to your needs.

Two versions, wall-mounted and mobile, allows the operation in multiple spaces.

Two different extension arm gives you the possibility of multiple applications. Choose between 60 and 80 cm arm's length.

Automatic setting of exposure time from 0.01 to 2.0 seconds, depending on the patient and tooth characteristics.

Easy-to-read main control panel, with quickly identifiable icons for a faster and easier operation.

RiX-70 DC



Modern and clean design

More compact and lightweight tube head.

Steady and strong support arm.

Handswitch provided with 2 meter coiled cord.

Clear and intuitive remote control.

Additional button pad for a fast selection of exposure values.

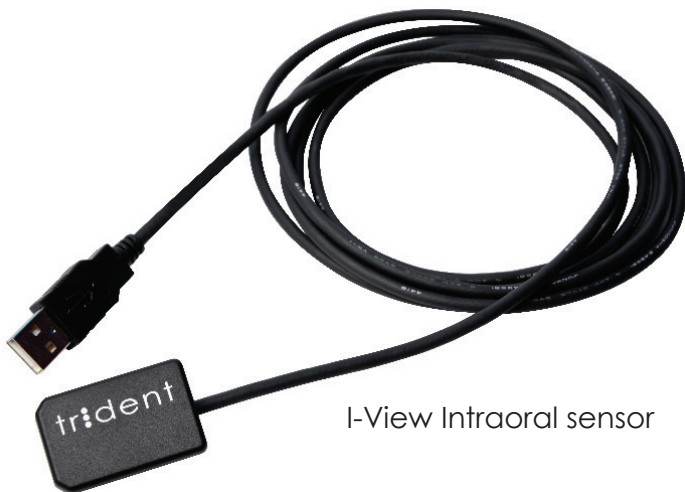
Optional 35 x 43 mm rectangular collimator

RiX-70 DC

Easier for you.
Safer for your patients.

Compatibility with any image receptor

You can select from the control panel the image receptor to use. RiX-70 DC perfectly matches with the modern Trident digital images receptors: I-View, Intraoral Sensor and Reader, phosphor plate scanner.

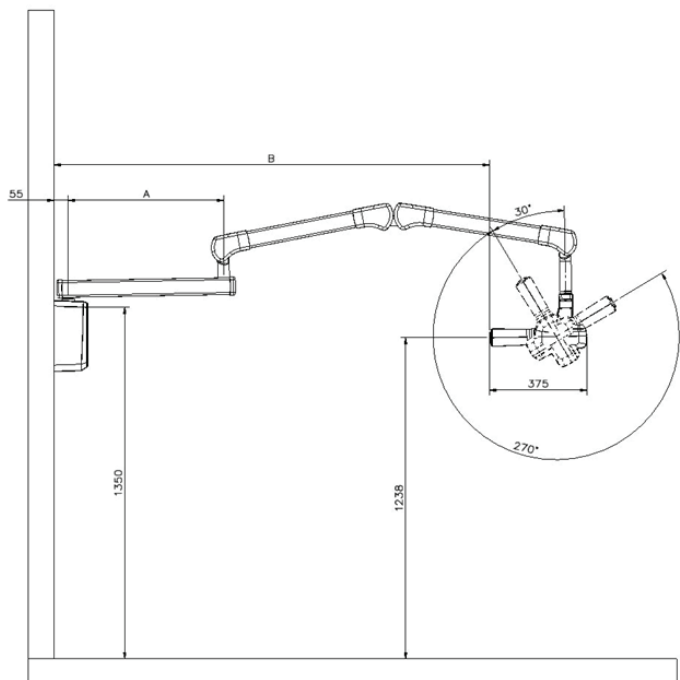


I-View Intraoral sensor



Reader PSP scanner

Space Requirements for Installation



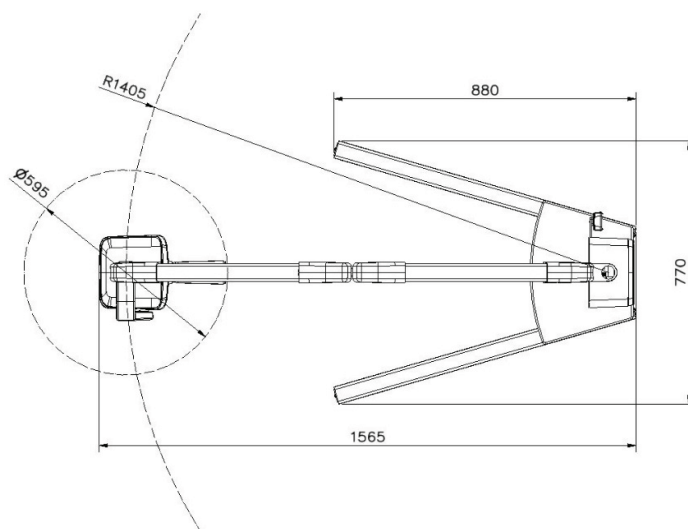
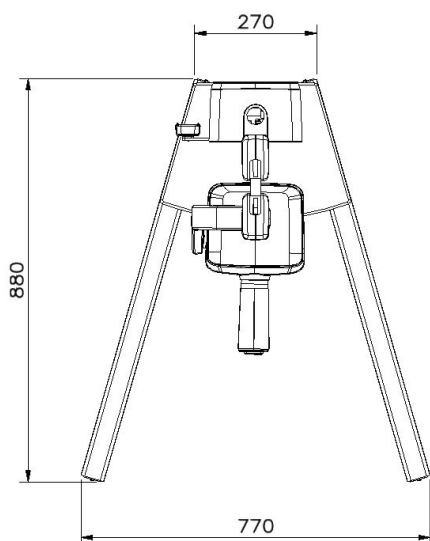
Wall Mounted version

Distance A: Is equal to the length of the arm 600/800 mm

Distance B: 1678mm for a 600 mm arm length 1878mm for an 800 mm arm length

RiX-70 DC

Mobile Version



Technical Characteristics

Mains Voltage	115/230 V \pm 10% 1500 x 1000 (size1)
Frequency	50/60 Hz
Tube Voltage	60 – 65 – 70 kVp (selectable)
Anodic Current	7 mA fixed
Focal spot	0.4mm IEC336
Exposure time	From 0.01 to 2.0 seconds
Focus skin distance	20cm / 8 in
Arm reach	1678-1878 mm available
Collimator	Standard: 60 mm (round) Optional: 35x43 mm (square)
Leakage	<0,25 mGy/h at 1m
Total filtration	> 2.1 mm Al
Weight	32 Kg wall mounted 52 Kg mobile



trident srl

Via Verdi No. 20,
20090 Assago, MI, Italy

Tel: +39 0287072380

Fax: +39 0287072381

www.trident-dental.com

info@trident-dental.com

